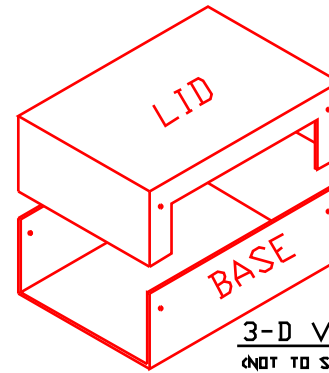


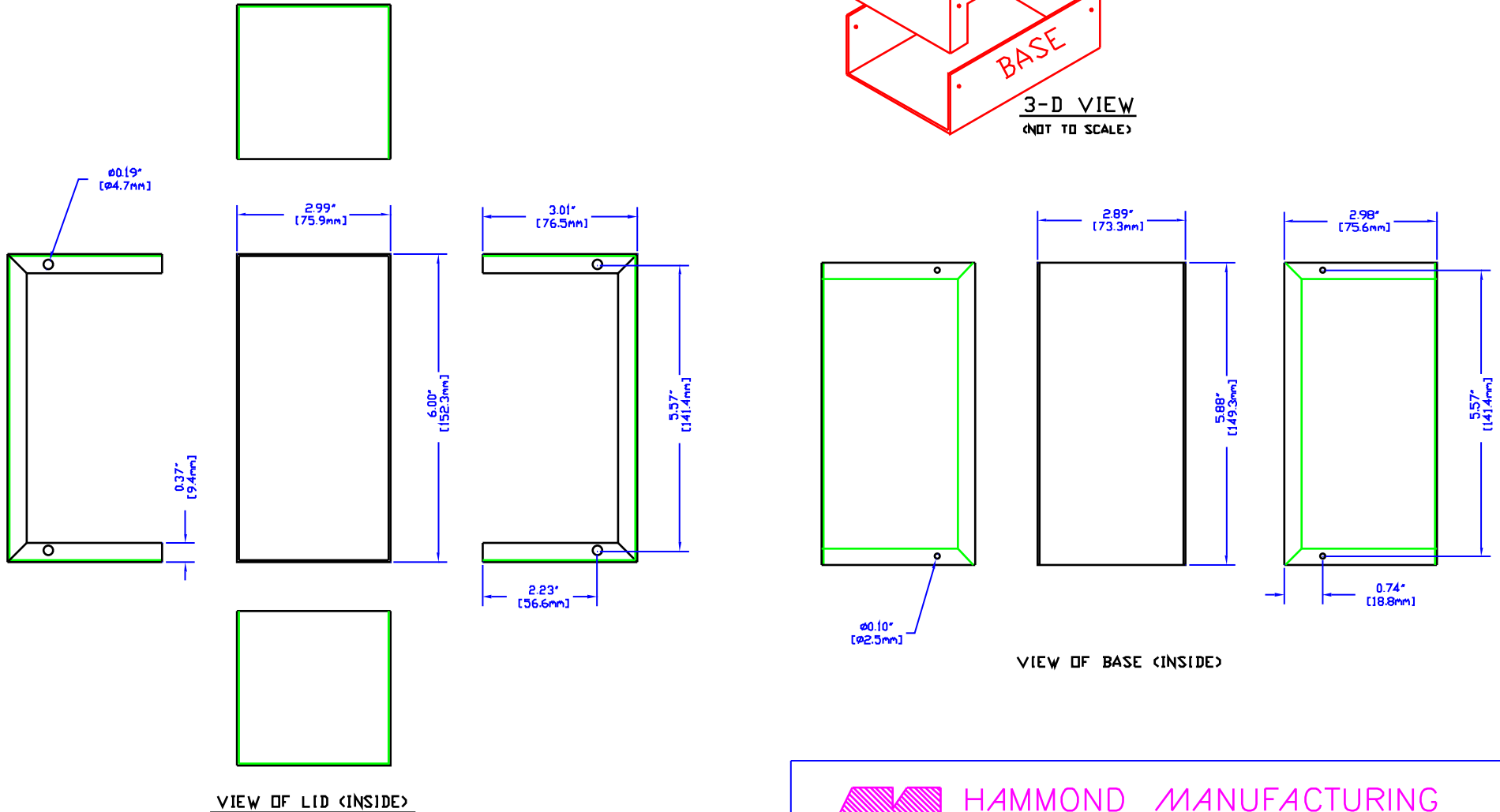
NOTES

MATERIAL - 0.040" THICK ALUMINUM  
- #6 x 1/4" SELF TAPPING SCREWS

\*\* 1411M - FINISHED ASA 61 GREY  
1411MU - UNFINISHED



3-D VIEW  
(NOT TO SCALE)



HAMMOND MANUFACTURING

1411M-Handy Case

website: [www.hammondmfg.com](http://www.hammondmfg.com)